

## Diaphragm type chemical seal for Celluloses industries



### Features

Special connection and design  
Medium vom angebauten Manometer, Druckschalter  
oder Drucksensor.  
Schnellanschluss durch Nutüberwurfmutter

### Description

Chemical seals are used when media can falsify the  
pressure measurements due to high temperature ,  
high viscosity or their propensity to crystallise .  
Chemical seals transmit the process pressure to the  
measuring instrument , with the diaphragm forming  
a hermetic seal between the medium and measuring instrument.  
In combination with capillary tube the measuring instruments  
can be mounted in something meters from the process pressure .

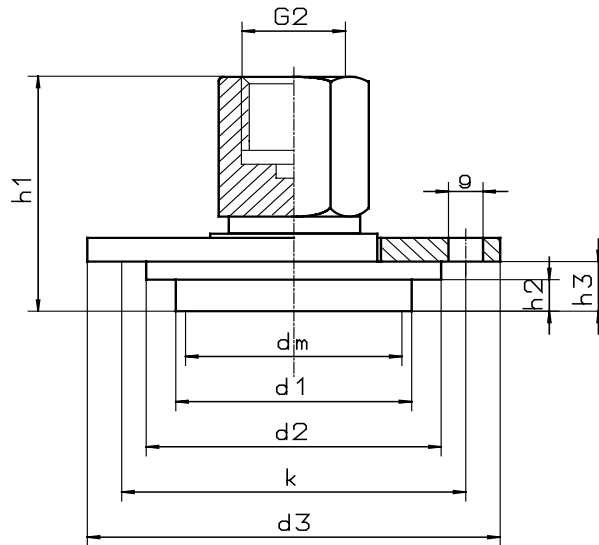
### Applications

Celluloses industries

Typ	DM-70
Ranges in bar	0...1,6, 2,5, 4, 6, 10, 16, 25, 40 -1 / +0,6, -1 / +1,5, -1 / +3, -1 / +5, -1 / +9, -1 / +15, -1 / +24
Design	Boddy with flange
Chemical seal	CrNi steel
Membran	Diameter 48 mm, CrNi steel weldet with boddy
Flange	CrNi steel
Connection	DN 48
Pressure	PN 40
Temperature	Medium: -20°C bis 120°C

## Dimensions and Design

for paper industry



Dimensions in mm											Weight
Model	d1	d2	d3	dm	h1	h2	h3	k	g	G2	
DM-70	48	59	85	38	66	6,5	12,5	70	6 x Dm. 7	G 1/2	0,7 kg