

Pressure sensors with internal diaphragm with ceramic element

Accuracy 0,5 % and 1 %

Standard output : 4...20 mA; 2-wire system
 or 0...5 VDC; 3-wire system
 or 0...10 VDC; 3-wire system

Features

High long-term stability
 High peak pressure resistance
 Corrosion resistant stainless steel design
 For dynamic and static measurements

Applications

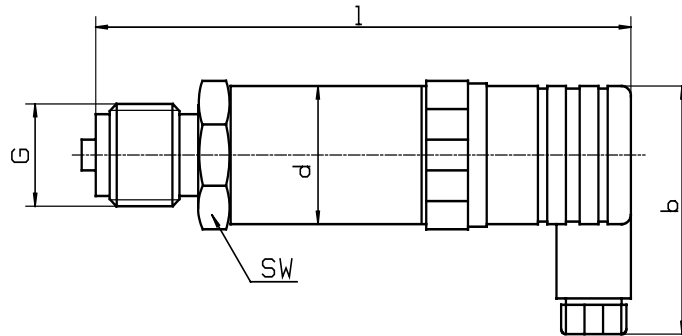
Hydraulics and pneumatics
 General mechanical engineering



Model	SD-25	SD-26	SD-27	SD-28
Accuracy	1,0 % from full scale value		0,5 % from full scale value	
Connection thread	G 1/2 B	G 1/4 B	G 1/2 B	G 1/4 B
Ranges in bar	0...1,6, 2,5, 4, 6, 10, 16, 25, 40, 60, 100, 160, 250, -1 / +1,5, -1 / +3, -1 / +5, -1 / +9, -1 / +15, -1 / +24			
Overload limit	up to 250 bar	- 2,0 x		
Sensor element	Ceramik in monolithical construction			
Repeability	< 0,05 % full scale value			
Stability per year	< 0,2 % full scale value in rated conditions			
Case	CrNi steel			
Wetted parts	CrNi steel, ceramik Al ₂ O ₃		O-ring viton (FKM)	
Pressur connection	SW 27, CrNi steel			
Electrical connection	plug according to DIN 43650 with junction box			
Power supply	10...36 VDC (12...36 VDC for output 0...10 V)			
Power consumption	Output 4...20 mA: signal currency		voltage output 8 mA	
Temp.comp.range	0...70 °C			
Temp. influence	0,2 % / 10 K, zero point and measuring element			
Protection type	IP 65 to EN 60529 /IEC 529			
Temperatures	Medium: -30°C up to 100°C, Ambient: -20°C up to 80°C			
Weight	0,2 kg			

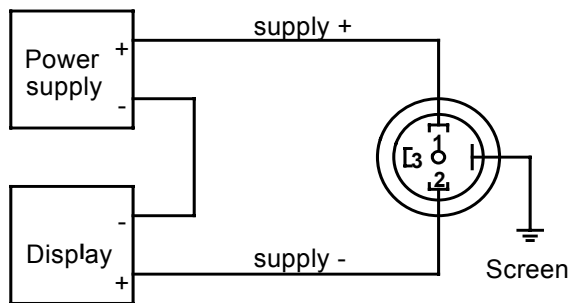
Dimensions and Design

with internal diaphragm

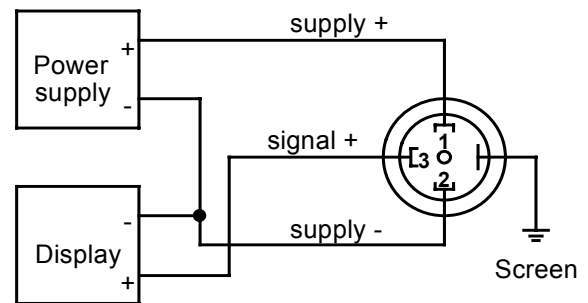


Electrical connection

Two-wire system



Three - wire system



Dimensions in mm						
Model	b		d	l	SW	G
SD-25	48		27	115	27	G 1/2 B
SD-26	48		27	108	27	G 1/4 B
SD-27	48		27	115	27	G 1/2 B
SD-28	48		27	108	27	G 1/4 B