

Pressure Gauges with Bourdon tube and integrated pressure sensor

Accuracy 1,0%

Standard output: 4...20 mA; 2-wire system
or 0...20 mA; 3-wire system
or 0...5 VDC; 3-wire system
or 0...10 VDC; 3-wire system

Characteristics

Case in safety version S3 according to DIN EN 837-1
analog display and analog output signal
for remote transfer of the measuring value
Bourdon and sensor operate independent from each other

Applications

Used for all gaseous and liquid pressure media,
with are not tend to crystallise, highly viscous or
attack the measuring material.

Instrument range

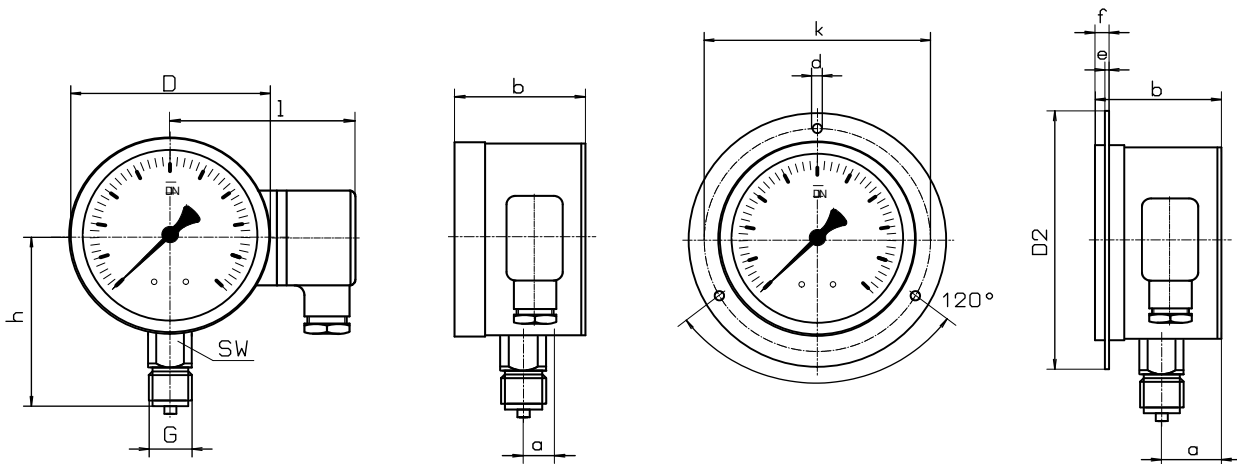
Laboratory
Mechanical / plant engineering
Hydraulic systems



Models and ND	SMR-36 100	SMR-36 160
Ranges in bar	0...2,5, 4, 6, 10, 16, 25, 40, 60, 100, 160, 250, 400 -1 / 3 -1 / 5 -1 / 9 -1 / 15 -1 / 24	
Application	Constant load : up to full scale value Alternating load : 0,9 x of full scale value Short time : 1,3 x of full scale value short time !	
Case	stainless steel 1.4301 with blow out plug for the case of pressure build-up inside safety disconnection wall between measuring element and dial	
Bezel	CrNi-steel	
Window	laminated glass	
Sensor element	stainless steel measuring cell, thin film technology	
Wetted parts	Cr-Ni-steel	O-ring Viton (FKM)
Pressure connection	SW 22, CrNi-steel	
Connection thread	G 1/2 B	
Repeatability	< 0,05 % of full scale value	
Stability per year	<0,2% full scale value in rated conditions	
Electrical connection	junction box with screwing Pg 13,5	
Power supply	12...30 VDC (14...30 VDC for output 0...10 V)	
Power consumption	output 4...20 mA: signal current	voltage output 8 mA
Permissible load	current 2-wire: $R_{max} = ((UB-UB_{min}) / 0,02) \text{ Ohm}$, voltage: $R_{min} = 10 \text{ Kohm}$	
Temp.comp.range	-28...82 °C	
Temp.influence	0,3 % / 10 K, zero point and measuring element (0...50°C)	
Response time	< 1 ms (from 10% up to 90% of full scale value)	
Temperatures	Medium: -20°C to 80°C, ambient: -25°C to 60°C	

Dimensions and Design

connection bottom

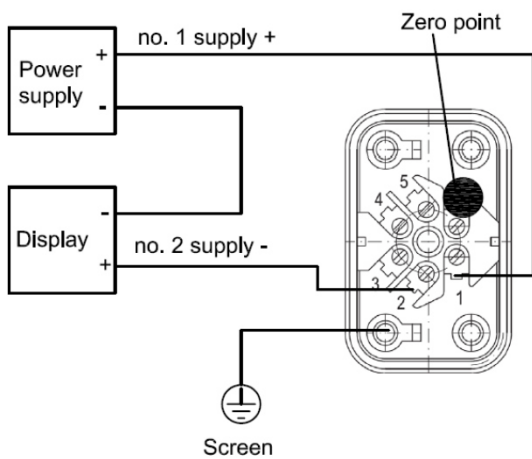


Front flange

Dimensions in mm														
Model	NG	D	a	b	l	h		D2	e	f	k	d	sw	G
SMR-36	100	101	27	60	88	86		132	2	6	116	5	22	G 1/2 B
SMR-36	160	160	34	69	118	118		195	3	8	178	5,6	22	G 1/2 B

Electrical connection

2-wire system
4...20 mA



3-wire system
0...20 mA
0...5/10 V

