

Thermocouple for Screwing in

Accuracy class 1,0 to DIN IEC 584

according to DIN 43772-2



Features

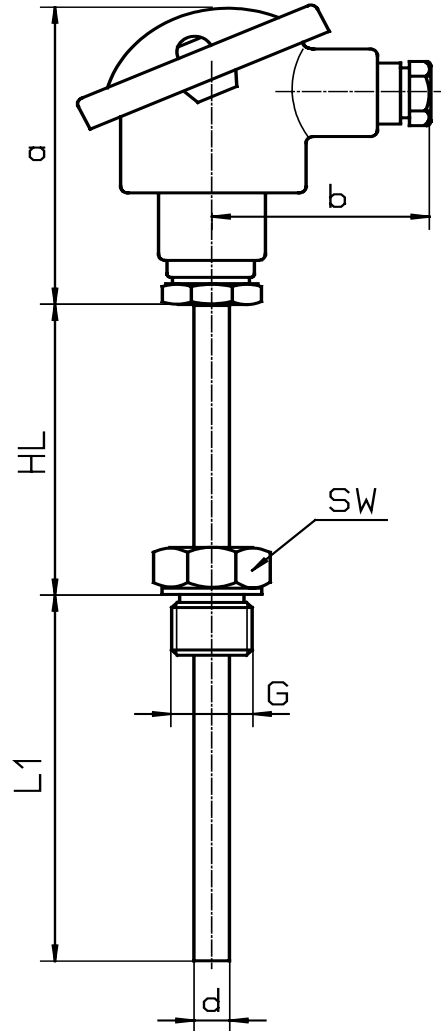
Universal thermometer for low pressure
Special versions on request
Short response time

Applications

Air Conditioning
Tank and pipe construction
Chemical-and petrochemical industry
Mechanical engineering and machinery

Model	ST-120	ST-130
Design	with extensionstube	without extensionstube
Range	-200...+600 °C	
Measuring element	Type L (Fe-CuNi) according to DIN 43710 Type J (Fe-CuNi) according to DIN 584 Type K (NiCr-Ni) according to DIN 584 DIN-Types S, T, E, N, R and B on request	
Head	Form B	
Thermowell	Diameter 9 x 1 mm CrNi steel	
Measuring element	Diameter 6 mm	
Connection	SW 27, CrNi steel	
Connection thread	G 1/2 B	
Electrical connection	Ceramic stone in head , over PG 16	

Dimensions



Dimensions in mm							
Model	a	b	d	HL	L1	SW	G
ST-120	80	50	11	120		27	G 1/2 B
ST-130	80	50	11	-		27	G 1/2 B