

Bimetal thermometer Stainless steel , pivoting case

ND 80 , 100 , and 160
Accuracy class 1

according to DIN 16 204



Features

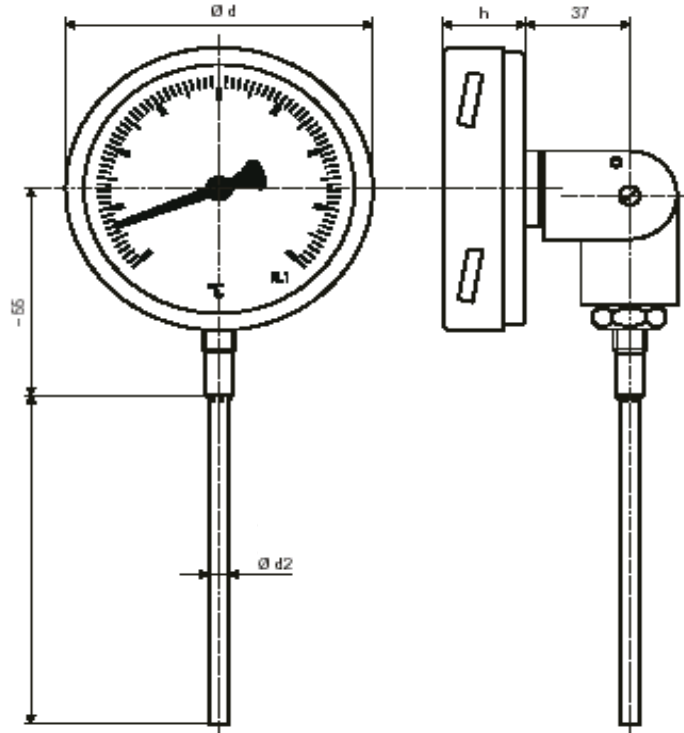
Short response time
Wide selection of standard versions
High grade version
Version with rotating and pivoting case

Applications

Mechanical engineering and apparatus manufacture,
Container and pipe construction
Building service and a wide range of applications in industry
Food industry

Model and ND	TB-33 80	TB-33 100	TB-33 160
Connection	bottom		
Ranges	-30...+50°C, -20...+60°C, -10...+50°C 0...60°C, 0...80°C, 0...100°C, 0...120°C, 0...160°C, 0...200°C, 0...250°C, 0...300°C 0...400°C, 0...500°C, other at inquiry		
Application	Full scale value		
Case	CrNi steel		
Bezel	CrNi steel, rim ring or bayonet catch		
Window	Glass lens		
Dial	Aluminium white ,scale black		
Pointer	Aluminium, black		
Measuring element	Bimetal coil		
Display correction	Adjusting pointer or at case backside		
Shaft	CrNi steel , 8 mm		
Connection	lock at data sheet T 190		
Length	45, 63, 100, 150, 200, 250 mm, max. 500 mm		
Protection	IP 43 or IP 65 according EN 60259 /IEC 529		
Weight	0,6 kg	0,8 kg	1,2 kg

Dimensions



Dimensions in mm								
Typ	NG	D	h		d2		sw	G
TB-33	80	80	24		8		21	
TB-33	100	100	28		8		21	
TB-33	160	160	28		8		21	

Modelspecification

